

Chocolat



Signature

The DELISKA TRADITIONS CHOCOLAT EXPLOSION is a Belgian style chocolate cake with a unique chocolate center. Our 4" diameter *Signature* cake was created as a table dessert for two or more guests. DELISKA TRADITIONS proprietary chocolate center *magically* liquifies when heated. When cut, our warm liquid chocolate center will slowly ooze from the cake.

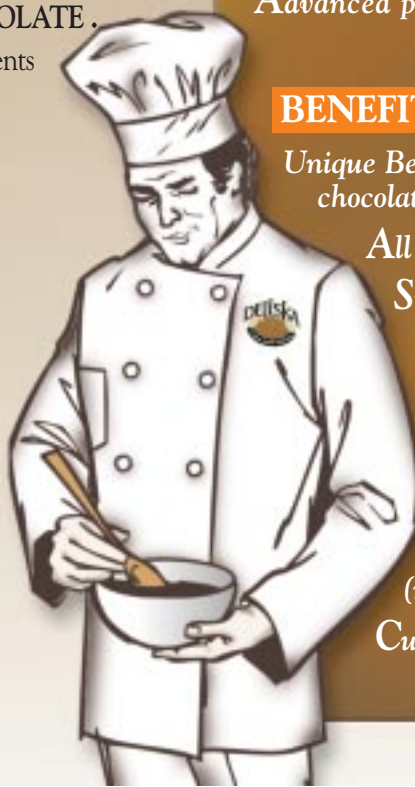
Don't forget to add our premium WONDER CHOCOLATE. Our WONDER CHOCOLATE perfectly compliments belgian style desserts.

WONDER CHOCOLATE

DELISKA TRADITIONS unique chocolate toppings especially created for the CHOCOLAT EXPLOSION *Signature* cakes. WONDER CHOCOLATE is available in dark, milk & white chocolate. (Special flavorings available)

GARNISHING TIPS

- Add your favorite ice cream
- Add a raspberry coulis prior to applying the WONDER CHOCOLATE
- Add fresh berries



FEATURES:

- Belgian Style Recipes & Chocolate
- Our proprietary chocolate processing techniques
- Advanced packaging technology

BENEFITS:

- Unique Belgian style chocolate dessert
- All natural
- Simple preparation
- Extended shelf life at room temperatures (42° to 75°F)
- Attractive price per portion
- Individually Packaged (no waste)
- Custom garnishing

DELISKA TRADITIONS FOOD SERVICE

PRODUCT SPECIFICATIONS: CHOCOLAT EXPLOSION SIGNATURE

CASE: 36 cakes x 260g (9.1oz)

Length	Width	Height	Cube	Weight
21"	13"	6.5"	0.95 ft ³	20.7 lbs
52.5 cm	32.5 cm	16.25 cm	0.027 m ³	9.4 kg

PALLET: 42 cases (7 rows of 6 cases) 1512 cakes / pallet

Length	Width	Height	Cube	Weight
48"	40"	55"	61.73 ft ³	869 lbs
1.22 m	1.02 m	1.40 m	1.74 m ³	395 kg

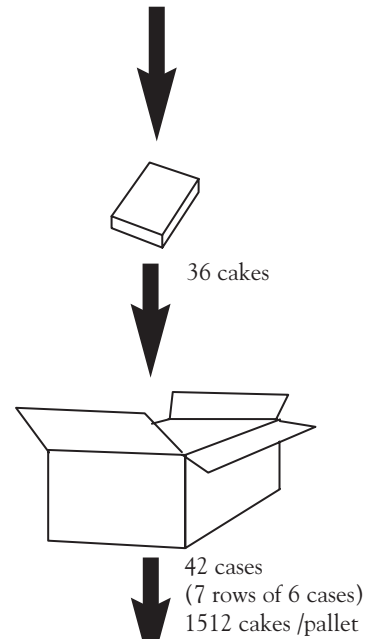
CONTAINERS

Specs	Truck
Pallets	24
Cases	1 008
Weight	20856 lbs 9480 kg
Cube	1481.52 ft ³ 41.8 m ³

STORAGE AND TRANSPORTATION

Transportation temperature requirement

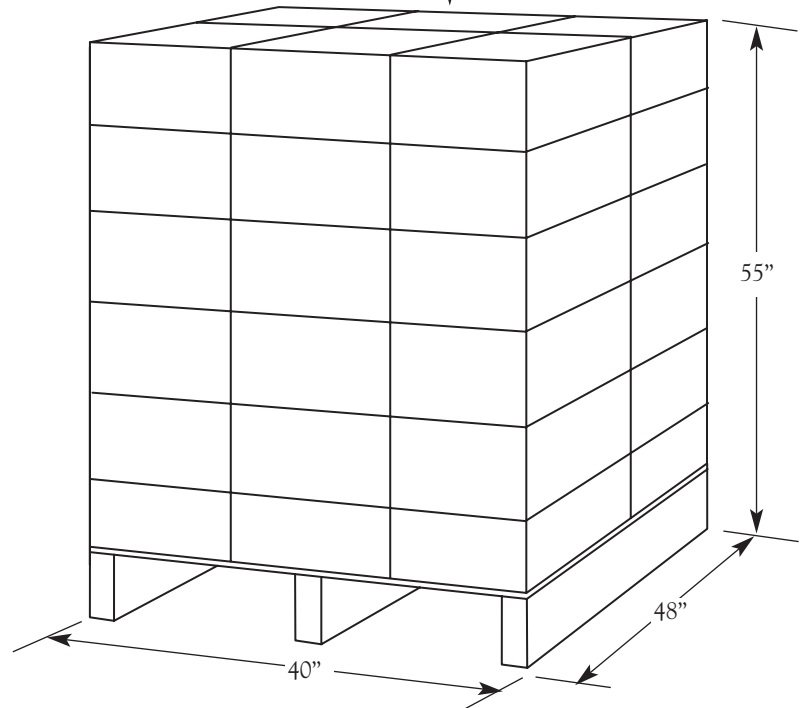
Extended shelf
life at room
temperature
>42° to <75° F
+ - 2%



INSTRUCTIONS

MICROWAVE

- Remove the cake from its packaging and place on a serving plate.
- Insert the plate into a microwave oven on high and heat for 45 to 55 seconds. (Heating time may vary depending on the microwave power setting)
- Add DELISKA TRADITIONS "WONDER CHOCOLATE"



ORDERING INFORMATION

Cs Part #	Product description
91301cs	Chocolat Explosion Signature Dessert "Dark Chocolate Center"
91304cs	Chocolat Explosion Signature Dessert "Milk Chocolate Center"



500 DesLauriers, Ville St-Laurent, Québec, Canada, H4N 1V8
Tel : 514-642-0000 • Fax : 514-642-8120